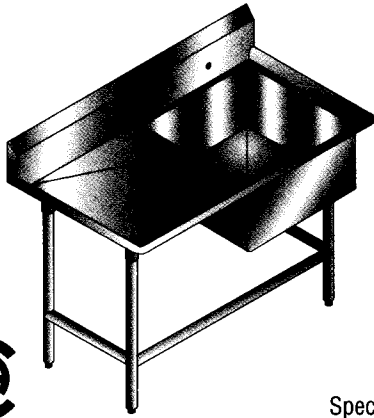


SCULLERY SINKS

One Compartment
w/ Left Drainboard



Spec Line Shown

FEATURES

Fully fabricated sink bowls for full metal thickness throughout the bowls.

Large $\frac{3}{4}$ " radius on all corners both vertical and horizontal.

9" high integrally formed backsplash.

2 $\frac{1}{2}$ " high sanitary rolled rim at all free edges.

Leg assemblies located under sink bowls for direct column load support.

CONSTRUCTION

Top: Shall be one-piece die formed with integral 9" high rear splash and 180° sanitary rolled edges at front and ends. All corners shall be TIG welded with all exposed welds ground and polished to blend with adjacent surfaces. (#4 Grain Finish)

Bowls: Shall be die formed with front, bottom, and back, from one sheet with ends seam welded to form one-piece sanitary unit. All exposed welds shall be ground smooth and polished to blend with adjacent surfaces.

Legs: Shall be attached to sinks with cylindrical gussets and gusset plates welded to bottom of bowls and fitted with adjustable bullet feet.

**Custom Sizes Available.
Call Factory For Details.**

CHOOSE FROM TWO AVAILABLE SERIES

**Standard Series
N-Series**
16 ga. Type 304 S/S
12" Bowl Depth
Galvanized Legs

**Spec Line
SL-Series**
14 ga. Type 304 S/S
14" Bowl Depth
S/S Legs & Crossrails

ACCESSORIES

Model		Qty		Model		Qty	
Drains				Faucets			

ONE COMPARTMENT w/ LEFT DRAINBOARD

Bowl Size	N-Series Model No.	Approx. Weight			SL-Series Model No.	Approx. Weight			Drainbrd Size
		(lbs.)	(kg)	Cube		(lbs.)	(kg)	Cube	
16"x18"	1N1618-LD18	53	24	16	1SL1618-LD18	57	26	18	18"
	1N1618-LD24	56	25	19	1SL1618-LD24	60	27	20	24"
	1N1618-LD30	60	27	21	1SL1618-LD30	64	29	23	30"
18"x18"	1N18-LD18	55	25	17	1SL18-LD18	59	27	18	18"
	1N18-LD24	58	26	20	1SL18-LD24	63	29	21	24"
	1N18-LD30	62	28	22	1SL18-LD30	67	30	24	30"
18"x24"	1N1824-LD18	64	29	21	1SL1824-LD18	70	32	23	18"
	1N1824-LD24	68	31	24	1SL1824-LD24	75	34	26	24"
	1N1824-LD30	72	33	27	1SL1824-LD30	80	36	29	30"
24"x24"	1N24-LD24	77	35	27	1SL24-LD24	85	39	29	24"
	1N24-LD30	78	35	30	1SL24-LD30	91	41	32	30"
	1N24-LD36	96	44	33	1SL24-LD36	101	46	36	36"
24"x30"	1N2430-LD24	97	44	32	1SL2430-LD24	103	47	35	24"
	1N2430-LD30	100	45	36	1SL2430-LD30	107	49	38	30"
	1N2430-LD36	107	49	39	1SL2430-LD36	114	52	42	36"
30"x30"	1N30-LD30	117	53	39	1SL30-LD30	126	57	42	30"
	1N30-LD36	121	55	43	1SL30-LD36	130	59	46	36"

Note: Sinks with drainboards 30" and longer shall have additional legs under each drainboard.

Sink Options & Accessories Available. Refer to Options Page 34.

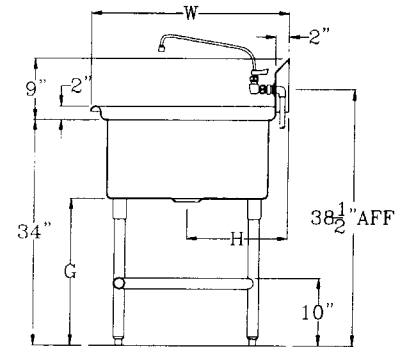
DETAILED SPECIFICATIONS

One Compartment w/ Left Drainboard

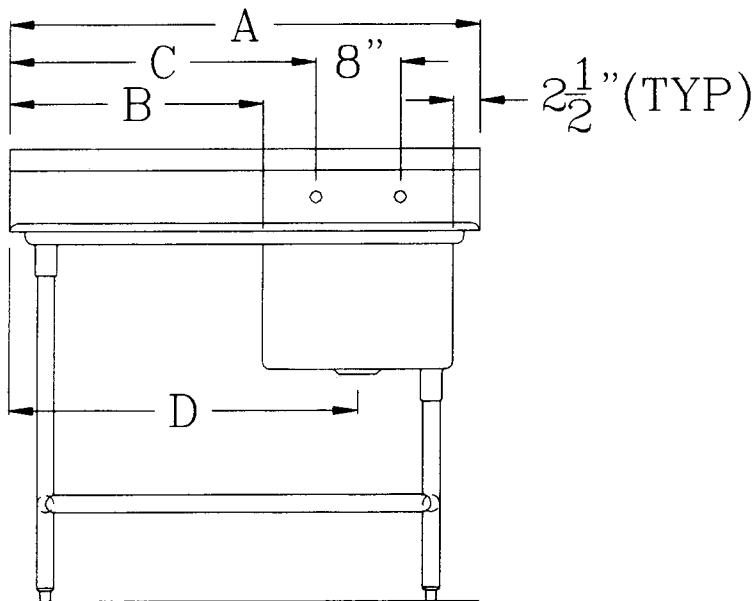
Specifications Apply to Both N- and SL-Series

ONE COMPARTMENT w/ LEFT DRAINBOARD

BOWL SIZE	MODEL NO.	O.A. SIZE		DRBD SIZE	FAUCET LOCATION	DRAIN LOCATION	DRAIN CENTERLINE
		A	W	B	C	D	E
16"x18"	1*1618-LD18	36 ¹ / ₂ " x 23 ¹ / ₂ "		18"	22"	26"	N/A
	1*1618-LD24	42 ¹ / ₂ " x 23 ¹ / ₂ "		24"	28"	32"	N/A
	1*1618-LD30	48 ¹ / ₂ " x 23 ¹ / ₂ "		30"	34"	38"	N/A
18"x18"	1*18-LD18	38 ¹ / ₂ " x 23 ¹ / ₂ "		18"	23"	27"	N/A
	1*18-LD24	44 ¹ / ₂ " x 23 ¹ / ₂ "		24"	29"	33"	N/A
	1*18-LD30	50 ¹ / ₂ " x 23 ¹ / ₂ "		30"	35"	39"	N/A
18"x24"	1*1824-LD18	38 ¹ / ₂ " x 29 ¹ / ₂ "		18"	23"	27"	N/A
	1*1824-LD24	44 ¹ / ₂ " x 29 ¹ / ₂ "		24"	29"	33"	N/A
	1*1824-LD30	50 ¹ / ₂ " x 29 ¹ / ₂ "		30"	35"	39"	N/A
24"x24"	1*24-LD24	50 ¹ / ₂ " x 29 ¹ / ₂ "		24"	32"	36"	N/A
	1*24-LD30	56 ¹ / ₂ " x 29 ¹ / ₂ "		30"	38"	42"	N/A
	1*24-LD36	62 ¹ / ₂ " x 29 ¹ / ₂ "		36"	44"	48"	N/A
24"x30"	1*2430-LD24	50 ¹ / ₂ " x 35 ¹ / ₂ "		24"	32"	36"	N/A
	1*2430-LD30	56 ¹ / ₂ " x 35 ¹ / ₂ "		30"	38"	42"	N/A
	1*2430-LD36	62 ¹ / ₂ " x 35 ¹ / ₂ "		36"	44"	48"	N/A
30"x30"	1*30-LD30	62 ¹ / ₂ " x 35 ¹ / ₂ "		30"	41"	45"	N/A
	1*30-LD36	68 ¹ / ₂ " x 35 ¹ / ₂ "		36"	47"	51"	N/A



BOWL SIZE	N-Series	SL-Series	
	G	G	H
16"x18"	22"	20"	12"
18"x18"	22"	20"	12"
18"x24"	22"	20"	15"
24"x24"	22"	20"	15"
24"x30"	22"	20"	18"
30"x30"	22"	20"	18"



MECHANICAL REQUIREMENTS

Supply: 1/2" IPS Hot & Cold.
 Faucets not included. See Accessories.
 Waste Drains: 1 1/2" IPS Basket Type and are included.

Universal Stainless is constantly engaged in a program of improving products and, therefore, reserves the right to change specifications without prior notice.

MATERIALS

N-Series

Bowls: 16 Gauge Type 304 S/S
 Top: 16 Gauge Type 304 S/S
 Legs: 1 5/8" Diameter Galvanized Tubing

SL-Series

Bowls: 14 Gauge Type 304 S/S
 Top: 14 Gauge Type 304 S/S
 Legs: 1 5/8" Diameter S/S Tubing
 Crossrails: 1 5/8" Diameter S/S Tubing

