



Item: \_\_\_\_\_  
 Quantity: \_\_\_\_\_  
 Project: \_\_\_\_\_  
 Approval: \_\_\_\_\_  
 Date: \_\_\_\_\_

Models:

- MCO-GS-10-ESS     MCO-GS-20-ESS



Model MCO-GS-10-ESS

Note: Ovens supplied with casters must be installed with an approved restraining device.

Standard Features:

- Master 200 Solid State Control with 150° F (66°C) to 500°F (250°C) temperature range and electromechanical timer
- Electronic spark ignition, including automatic pilot system with 100% safety shut off
- 2-speed fan control (high & low) w/3/4HP fan motor
- Total of 60,000 BTU (17.6 kW) loading per oven cavity
- Stainless steel front, sides, top, and legs
- 60/40 dependent door design with double pane thermal window in both doors and interior lighting
- Full Length, stainless steel positive door closure
- Patented "Safety Door System"
- Porcelain enameled oven interior with coved corners
- 24" cooking cavity height w/6 chrome plated oven racks on 13-position rack guides
- Double deck models available, suffix -20-ESS
- 1 year limited parts & labor warranty (USA & Canada only)
- 5 year limited door warranty, excluding window (USA & Canada only)

Optional Features:

- Stainless steel solid door or doors (specify) – No Charge
- Stainless steel oven interior
- Extra oven racks
- Swivel casters, (4) w/front brakes
- 4 Low profile casters, w/front brakes (double ovens only)
- Stainless steel open base with rack guides and shelf
- Canopy draft diverter (stainless steel)
- Direct connect vent
- Back enclosure (stainless steel)
- 3/4" gas flex hose & quick disconnect
- 208 or 240 volt, single phase motor (please specify)
- Maximum security package available contact factory for details

Specifications:

Garland Master Full-Size Standard Depth, prefix MCO-GS gas convection oven. 60,000 BTU (17.6 kW)/cavity, 3/4 HP fan motor with two speed fan control. Electronic spark ignition. Natural gas. Master 200 solid state control with electromechanical timer. Porcelain enameled oven interior with coved corners, Six (6) oven racks and 13-position rack guides. All model interiors are 29" (736mm) W by 24" (610mm) H, depth is 24" (610mm) for standard depth and 28" (711mm) for deep depth. Stainless steel front, sides, top, and legs. 60/40 dependent door design with double pane thermal window in both doors and interior lighting. Models with suffix -20-ESS are double deck units. Specify voltage if other than 115 volt, 60 Hz, 1 phase. UL, CUL Gas-Fired and NSF Listed. Energy star approved.



Garland  
 1333 East 179th Street  
 Cleveland, Ohio 44110  
 Phone: 800-424-2411  
 Fax: 800-624-0218

Garland Commercial Ranges Ltd  
 1177 Kamato Road,  
 Mississauga, Ontario  
 L4W 1X4 CANADA  
 Phone: 905-624-0260  
 Fax: 905-624-5669

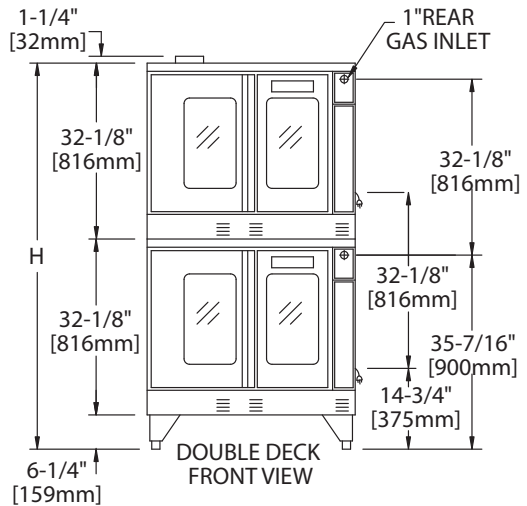
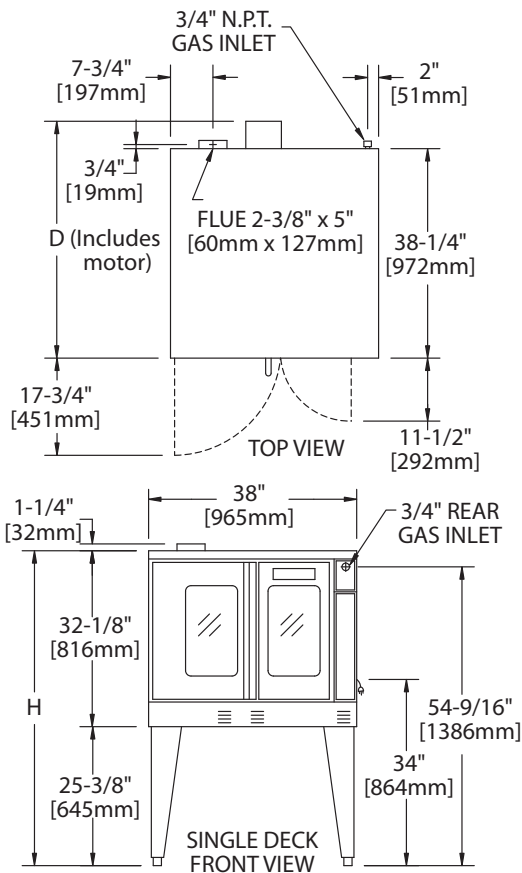


| SINGLE-DECK MODELS | INT. DIMENSIONS: In mm |          |          | EXT. DIMENSIONS: In mm |               |              | SHIP WT. | SHIP DIM. |
|--------------------|------------------------|----------|----------|------------------------|---------------|--------------|----------|-----------|
|                    | W                      | H        | D        | W                      | H*            | D            | lbs/kg   | cubic Ft. |
| Standard Depth     | 29 (736)               | 24 (610) | 24 (610) | 38 (965)               | 57-1/2 (1461) | 41-1/4(1048) | 515/230  | 58.5      |

| DOUBLE-DECK MODELS | INT. DIMENSIONS: In mm |          |          | EXT. DIMENSIONS In mm |               |              | SHIP WT. | SHIP DIM. |
|--------------------|------------------------|----------|----------|-----------------------|---------------|--------------|----------|-----------|
|                    | W                      | H        | D        | W                     | H*            | D            | 2@lbs/kg | Cubic Ft. |
| Standard Depth     | 29 (736)               | 24 (610) | 24 (610) | 38 (965)              | 70-1/2 (1791) | 41-1/4(1048) | 1030/465 | 117       |

\*Height with or without standard casters. Height with low profile casters (double deck) is 68-1/2" (1740mm).

| MODELS      | INPUT RATINGS, NAT |          |              | ELECTRICAL SPECIFICATIONS |           |
|-------------|--------------------|----------|--------------|---------------------------|-----------|
|             | BTU/hr             | kW Eqiv. | Gas inlet    | 120V/1Ph.                 | 240V/1Ph. |
| Single Deck | 60,000             | 17.6     | (1)@3/4" NPT | (1)@9.8A                  | (1)@5.2A  |
| Double Deck | 120,000            | 35.2     | (1)@1" NPT   | (2)@9.8A                  | (2)@5.2A  |



**Installation Notes:**

**Combustible Wall Clearances:**

- Sides: 1" (25mm)
- Back: 3" (76mm)

**Entry Clearance:**

- Crated: 47" (1194mm)
- Uncrated: 32 1/2" (826mm)

**Manifold Operating Pressure:**

- Natural: 4.1" WC

Note: Data applies only to North America

**Notes:**

- Standard electrical specifications include motor requirements.
  - (120V units) 115V, 3/4 HP, 2-speed motor; 1140 and 1725 rpm, 60Hz.
  - (240V units) 200-240V, 3/4 HP, 2-speed motor; 1140 and 1725 rpm, 60 Hz
  - A 6 ft. line cord is provided for each 120V deck with a (NEMA #5-15P) plug.
  - Garland recommends a separate 15 AMP circuit for each 120V unit.
  - Gas Input Ratings shown above are for installations up to 2,000 ft. (610m) above sea level. Specify altitudes over 2,000 ft.
- Form# MCOGS1020ESS (05/26/11)

Garland  
 1333 East 179th Street  
 Cleveland, Ohio 44110  
 Phone: 800-424-2411  
 Fax: 800-624-0218

Garland Commercial Ranges Ltd  
 1177 Kamato Road,  
 Mississauga, Ontario  
 L4W 1X4 CANADA  
 Phone: 905-624-0260  
 Fax: 905-624-5669

